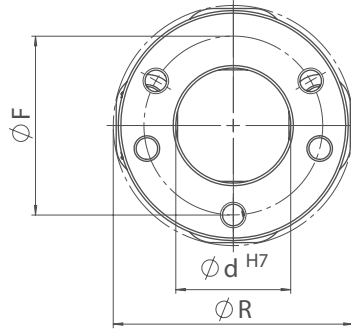
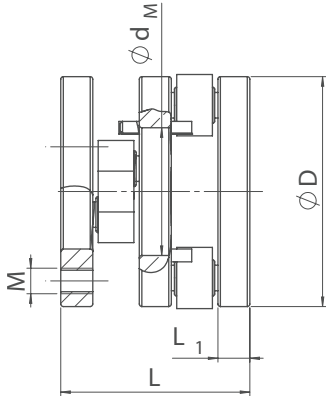
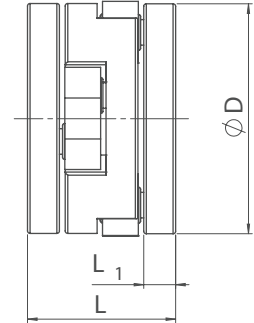


## Hub version 5 - Hub for flanging

### Standard F



### Compact Plus C



## Specifications

Size	D mm	R mm	L mm	L <sub>1</sub> mm	d mm	F mm	M	d <sub>M</sub> mm	Torque		Misalignment			m kg	J kg cm <sup>2</sup>	n <sub>max</sub> 1/min	C <sub>T</sub> kNm/rad
									T <sub>KN</sub> Nm	T <sub>Kmax</sub> Nm	radial* mm	angular °	axial mm				
F 45	50	52	44	8	22	35	3xM6	22	45	71	2	1	1	0,4	1	2.500	8
F 70	70	72	44	8	25	56	3xM6	42	70	112	2	1	1	0,6	5	2.100	13
C 70			35											0,7		1.700	
F 230	90	94	74	12,5	45	70	3xM10	50	230	460	2	1	1	1,6	20	1.450	53
C 230			58					1,8						22		1.150	
F 265	100	104	74	12,5	45	70	3xM10	55	265	530	2	1	1	2	31	1.350	61
C 265			58					2,2						34		1.100	
F 320	120	124	74	12,5	50	98	3xM10	70	320	635	3	1	1	2,9	64	1.250	73
C 320			58					3,1						68		1.000	
F 440	100	100	101	17	40	70	3xM16	40	440	920	3	1	1	3,3	45	1.150	105
F 575	120	120	101	17	50	90	3xM16	60	575	1.220	3	1	1	4,3	90	1.050	140
C 575			78,5					50						4,8		99	
F 725	140	140	101	17	50	110	3xM16	70	725	1.530	3	1	1	5,8	165	1.000	175
C 725			78,5					70						6,5		187	
F 830	160	160	101	17	60	120	3xM16	90	830	1.755	4	1	1	7,1	271	950	201
C 830			78,5					90						7,6		292	
F 1120	140	143	134	26	55	100	3xM20	55	1.120	2.730	3	0,8	1	9,1	249	850	313
F 1370	158	163	134	26	60	120	3xM20	70	1.370	3.340	3	0,8	1	11	401	800	383
C 1370			110					12						434		650	
F 1580	180	183	134	26	70	140	3xM20	90	1.580	3.845	4	0,8	1	14	656	750	441
C 1580			110					15						703		600	
F 2010	158	163	155	31	60	115	5xM20	70	2.010	4.915	4	0,7	1	14	484	750	563

\*Guide value at average rpm.

R= Swing diameter at radial misalignment=0, M= numbers of threaded bores x bolt size, T<sub>KN</sub>= Nominal torque, T<sub>Kmax</sub>= Maximum torque, C<sub>T</sub>= Torsional stiffness, m= Mass, J= Moment of inertia, F= bolt circle diameter

Ordering example:

**F 265.55**

Semiflex Standard, size 265, flange mounting version

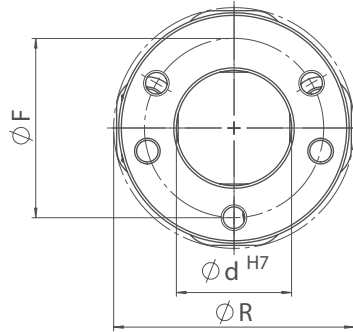
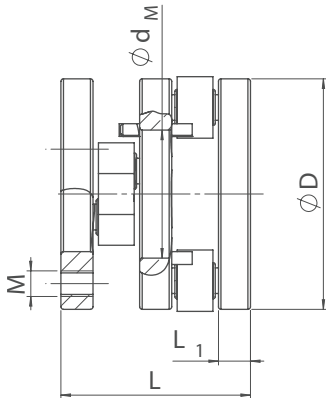
Ordering example:

**C 265.55**

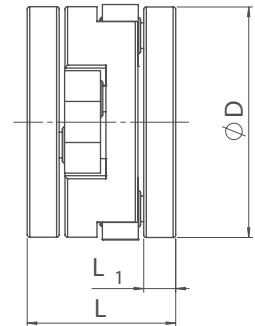
Semiflex Compact Plus, size 265, flange mounting version

## Hub version 5 - Hub for flanging

### Standard F



### Compact Plus C



## Specifications

Size	D mm	R mm	L mm	L <sub>1</sub> mm	d mm	F mm	M	d <sub>M</sub> mm	Torque		Misalignment			m kg	J kg cm <sup>2</sup>	n <sub>max</sub> 1/min	C <sub>T</sub> kNm/rad
									T <sub>KN</sub> Nm	T <sub>Kmax</sub> Nm	radial* mm	angular °	axial mm				
F 2390	180	183	155	31	70	135	5xM20	90	2.390	5.855	4	0,7	1	17	795	700	671
C 2390			127											18	851	550	
F 2700	200	203	155	31	80	150	5xM20	105	2.700	6.600	5	0,5	1	21	1.214	650	756
C 2700			127											22	1.299	500	
F 4220	200	200	196	33	80	150	5xM24	100	4.220	11.300	5	0,3	2	23	1.339	600	1.295
F 5620	250	250	196	33	100	200	5xM24	140	5.620	15.050	6	0,3	2	34	3.209	550	1.725
C 5620			152											37	3.499	450	
F 7040	300	300	196	33	160	250	5xM24	190	7.040	18.840	6	0,3	2	42	6.238	500	2.159
C 7040			152											47	7.064	400	
F 7500	300	300	155	31	150	260	7xM24	150	7.500	18.800	6	0,2	1	48	5.900	400	2.120
F 9750	350	350	155	31	150	280	7xM30	150	9.750	24.100	6	0,2	1	64	10.700	400	2.760
F 14500	350	350	196	33	180	280	7xM30	180	14.500	38.000	6	0,2	2	66	12.500	300	4.350

\*Guide value at average rpm.

R= Swing diameter at radial misalignment=0, M= numbers of threaded bores x bolt size, T<sub>KN</sub>= Nominal torque, T<sub>Kmax</sub>= Maximum torque, C<sub>T</sub>= Torsional stiffness, m= Mass, J= Moment of inertia, F= bolt circle diameter

Ordering example:

**F 2390.55**

Semiflex Standard, size 2390, flange mounting version

Ordering example:

**C 2390.55**

Semiflex Compact Plus, size 2390, flange mounting version