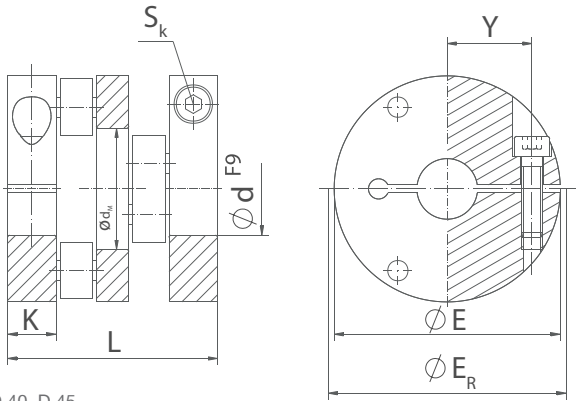
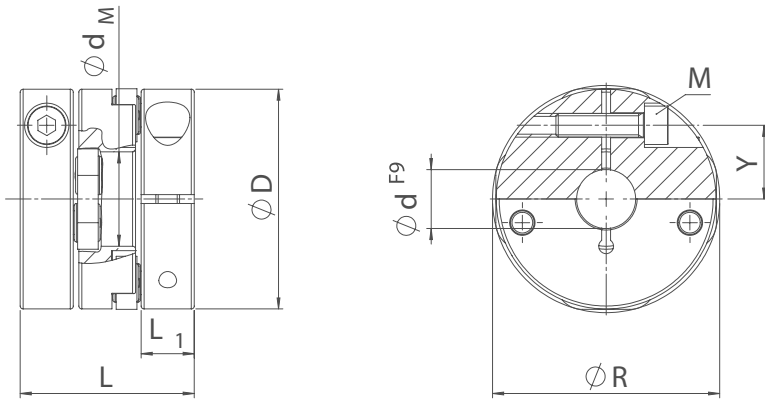


HUB VERSION 1 - CLAMP HUB

Dynamic D



D 40, D 45



D 180, D 185

Specifications

Size	D mm	R mm	L mm	L ₁ mm	Y mm	M	d _M mm	Torque		Misalignment			m kg	J kg cm ²	n _{max} 1/min	C _T kNm/rad
								T _{KN} Nm	T _{Kmax} Nm	radial* mm	angular °	axial mm				
D 40	56	61,5	52	12	21	M5	25	40	80	1,2	1	0,5	0,26	1,2	2.500	9
D 45			58	15	19,3	M6										
D 180	74,5	77	59	18	25	M8	32	180	300	1,5	0,5	0,5	0,63	5,1	5.000	34
D 185			67													

*Guide value at average rpm.

Mass of coupling size measured at max. bore diameter

R= Swing diameter at radial misalignment=0, M= Size of screw, T_{KN}= Nominal torque, T_{Kmax}= Maximum torque, C_T= Torsional stiffness, m= Mass, J= Moment of inertia

Bore diameters

Size	d mm											
	12	14	16	18	20	22	24	25	28	30	32	35
D 40	■	■	■	■	■	■	■	■	■	■		
D 45	■	■	■	■	■	■	■	■				
D 180, D 185	■	■	■	■	■	■	■	■	■	■	■	■

Combinations of different bore diameters are possible.

Ordering example:

D 40.11 Ø16 Ø20

Semiflex Dynamic, size 40, bore 16 mm, 20 mm