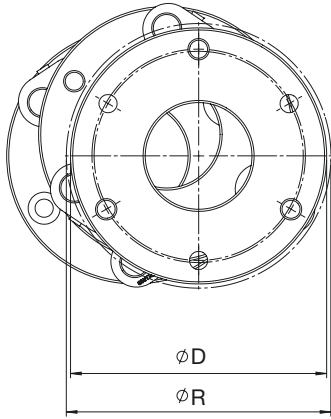
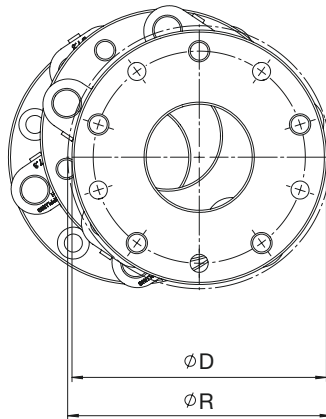


## Baureihen

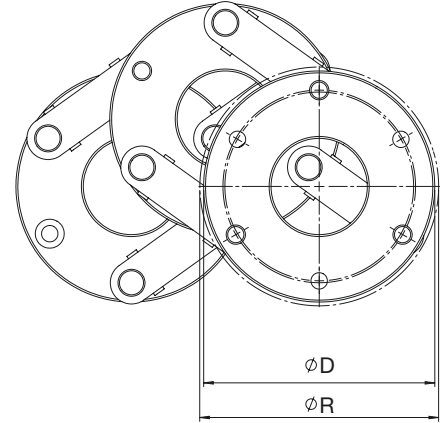
### Standard S



### Power Plus P



### Offset Plus V



## Spezifikationen

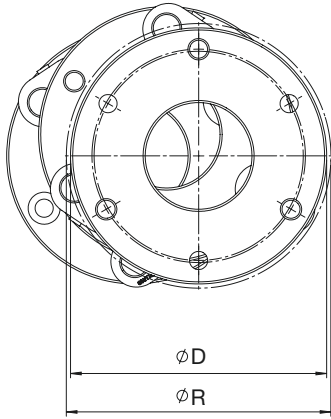
| Modell | Technische Daten      |                         |                      |                          |                      |                      |                     |                   |                           |         |         |
|--------|-----------------------|-------------------------|----------------------|--------------------------|----------------------|----------------------|---------------------|-------------------|---------------------------|---------|---------|
|        | T <sub>KN</sub><br>Nm | T <sub>Kmax</sub><br>Nm | K <sub>V</sub><br>mm | K <sub>r min</sub><br>mm | K <sub>r</sub><br>mm | K <sub>a</sub><br>mm | K <sub>w</sub><br>° | min <sup>-1</sup> | C <sub>T</sub><br>kNm/rad | D<br>mm | R<br>mm |
| S 35   | 35                    | 65                      | 45                   | 6                        | 23                   | 1                    | 0,8                 | 3.100             | 7                         | 50      | 52      |
| S 40   | 45                    | 85                      | 95                   | 13                       | 50                   | 1                    | 0,8                 | 1.900             | 10                        | 60      | 62      |
| S 45   | 45                    | 85                      | 45                   | 6                        | 23                   | 1                    | 0,8                 | 2.800             | 10                        | 60      | 62      |
| P 45   | 45                    | 90                      | 45                   | 6                        | 23                   | 1                    | 0,5                 | 3.100             | 10                        | 50      | 52      |
| P 60   | 60                    | 115                     | 45                   | 6                        | 23                   | 1                    | 0,5                 | 2.800             | 13                        | 60      | 62      |
| V 65   | 65                    | 126                     | 151                  | 21                       | 79                   | 1                    | 0,5                 | 1.300             | 14                        | 82      | 84      |
| P 110  | 110                   | 210                     | 95                   | 13                       | 50                   | 1                    | 0,5                 | 1.600             | 24                        | 82      | 84      |
| P 115  | 110                   | 210                     | 45                   | 6                        | 23                   | 1                    | 0,5                 | 2.400             | 24                        | 82      | 84      |
| S 115  | 110                   | 210                     | 64                   | 9                        | 34                   | 1                    | 0,8                 | 3.500             | 24                        | 70      | 74      |
| S 150  | 150                   | 290                     | 126                  | 17                       | 66                   | 1                    | 0,8                 | 2.200             | 33                        | 90      | 94      |
| S 155  | 150                   | 290                     | 64                   | 9                        | 34                   | 1                    | 0,8                 | 3.100             | 33                        | 90      | 94      |
| P 200  | 200                   | 385                     | 64                   | 9                        | 34                   | 1                    | 0,5                 | 3.100             | 44                        | 90      | 94      |
| S 210  | 210                   | 410                     | 126                  | 17                       | 66                   | 1                    | 0,8                 | 1.900             | 47                        | 120     | 124     |
| S 215  | 210                   | 410                     | 64                   | 9                        | 34                   | 1                    | 0,8                 | 2.700             | 47                        | 120     | 124     |
| V 210  | 210                   | 410                     | 216                  | 30                       | 114                  | 1                    | 0,5                 | 1.500             | 47                        | 120     | 124     |
| P 250  | 250                   | 490                     | 64                   | 9                        | 34                   | 1                    | 0,5                 | 3.100             | 56                        | 90      | 94      |
| P 280  | 280                   | 550                     | 126                  | 17                       | 66                   | 1                    | 0,5                 | 1.900             | 63                        | 120     | 124     |
| P 285  | 280                   | 550                     | 64                   | 9                        | 34                   | 1                    | 0,5                 | 2.700             | 63                        | 120     | 124     |
| V 290  | 290                   | 620                     | 360                  | 50                       | 190                  | 1                    | 0,5                 | 1.000             | 71                        | 170     | 170     |
| P 350  | 350                   | 690                     | 126                  | 17                       | 66                   | 1                    | 0,5                 | 1.900             | 79                        | 120     | 124     |
| P 355  | 350                   | 690                     | 64                   | 9                        | 34                   | 1                    | 0,5                 | 2.700             | 79                        | 120     | 124     |

T<sub>KN</sub> = Nenndrehmoment, T<sub>Kmax</sub> = Maximales Drehmoment, min<sup>-1</sup> = maximal zulässige Drehzahl, K<sub>V</sub> = maximal zulässiger Verstellweg, K<sub>r</sub> = maximal zulässiger Radialversatz, K<sub>r min</sub> = minimal erforderlicher Radialversatz, K<sub>a</sub> = maximal zulässiger Axialversatz, K<sub>w</sub> = maximal zulässiger Winkerversatz, C<sub>T</sub> = Torsionssteifigkeit

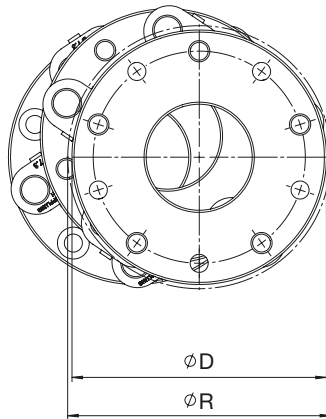


## Baureihen

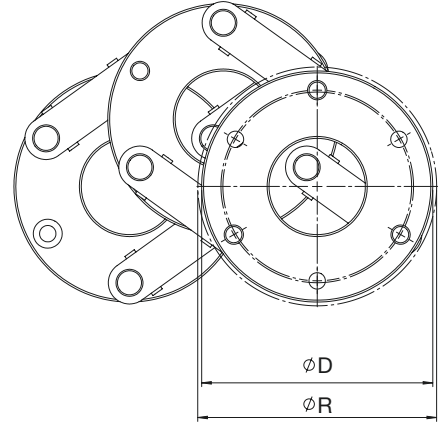
### Standard S



### Power Plus P



### Offset Plus V



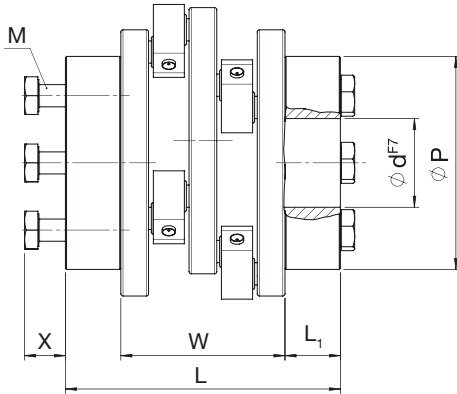
## Spezifikationen

| Modell | Technische Daten      |                         |                      |                          |                      |                      |                     |                   |                           |         |         |
|--------|-----------------------|-------------------------|----------------------|--------------------------|----------------------|----------------------|---------------------|-------------------|---------------------------|---------|---------|
|        | T <sub>KN</sub><br>Nm | T <sub>Kmax</sub><br>Nm | K <sub>V</sub><br>mm | K <sub>r,min</sub><br>mm | K <sub>r</sub><br>mm | K <sub>a</sub><br>mm | K <sub>w</sub><br>° | min <sup>-1</sup> | C <sub>T</sub><br>kNm/rad | D<br>mm | R<br>mm |
| S 285  | 280                   | 550                     | 100                  | 14                       | 53                   | 1                    | 0,5                 | 2.500             | 63                        | 100     | 100     |
| S 360  | 360                   | 710                     | 162                  | 22                       | 85                   | 1                    | 0,5                 | 1.800             | 81                        | 120     | 120     |
| S 365  | 360                   | 710                     | 100                  | 14                       | 53                   | 1                    | 0,5                 | 2.300             | 81                        | 120     | 120     |
| S 440  | 440                   | 865                     | 162                  | 22                       | 85                   | 1                    | 0,5                 | 1.700             | 99                        | 140     | 140     |
| S 445  | 440                   | 865                     | 100                  | 14                       | 53                   | 1                    | 0,5                 | 2.100             | 99                        | 140     | 140     |
| V 440  | 440                   | 865                     | 216                  | 30                       | 114                  | 1                    | 0,5                 | 1.500             | 99                        | 140     | 140     |
| P 480  | 480                   | 945                     | 100                  | 14                       | 53                   | 1                    | 0,5                 | 2.300             | 108                       | 120     | 120     |
| P 590  | 590                   | 1.155                   | 162                  | 22                       | 85                   | 1                    | 0,5                 | 1.700             | 132                       | 140     | 140     |
| P 595  | 590                   | 1.155                   | 100                  | 14                       | 53                   | 1                    | 0,5                 | 2.100             | 132                       | 140     | 140     |
| V 680  | 680                   | 1.340                   | 396                  | 55                       | 209                  | 1                    | 0,3                 | 900               | 154                       | 200     | 200     |
| P 700  | 700                   | 1.365                   | 162                  | 22                       | 85                   | 1                    | 0,5                 | 1.600             | 156                       | 160     | 160     |
| P 705  | 700                   | 1.365                   | 100                  | 14                       | 53                   | 1                    | 0,5                 | 2.000             | 156                       | 160     | 160     |
| V 700  | 700                   | 1.365                   | 216                  | 30                       | 114                  | 1                    | 0,5                 | 1.400             | 156                       | 160     | 160     |
| S 630  | 630                   | 1.240                   | 162                  | 22                       | 85                   | 1                    | 0,5                 | 1.500             | 142                       | 140     | 143     |
| S 635  | 630                   | 1.240                   | 122                  | 17                       | 64                   | 1                    | 0,5                 | 1.700             | 142                       | 140     | 143     |
| S 760  | 760                   | 1.485                   | 162                  | 22                       | 85                   | 1                    | 0,5                 | 1.400             | 170                       | 158     | 163     |
| S 765  | 760                   | 1.485                   | 122                  | 17                       | 64                   | 1                    | 0,5                 | 1.600             | 170                       | 158     | 163     |
| V 760  | 760                   | 1.485                   | 216                  | 30                       | 114                  | 1                    | 0,5                 | 1.200             | 170                       | 160     | 163     |
| S 950  | 950                   | 1.820                   | 162                  | 22                       | 85                   | 1                    | 0,5                 | 1.300             | 209                       | 190     | 190     |
| S 955  | 950                   | 1.820                   | 122                  | 17                       | 64                   | 1                    | 0,5                 | 1.500             | 209                       | 190     | 190     |
| V 950  | 950                   | 1.820                   | 270                  | 37                       | 142                  | 1                    | 0,5                 | 1.000             | 209                       | 190     | 190     |
| V 955  | 950                   | 1.820                   | 216                  | 30                       | 114                  | 1                    | 0,5                 | 1.100             | 209                       | 190     | 190     |
| P 1010 | 1.010                 | 1.980                   | 162                  | 22                       | 85                   | 1                    | 0,5                 | 1.400             | 227                       | 158     | 164     |
| P 1015 | 1.010                 | 1.980                   | 122                  | 17                       | 64                   | 1                    | 0,5                 | 1.600             | 227                       | 158     | 164     |
| V 1200 | 1.200                 | 2.350                   | 432                  | 60                       | 228                  | 1                    | 0,3                 | 700               | 269                       | 230     | 230     |
| P 1580 | 1.580                 | 3.095                   | 162                  | 22                       | 85                   | 1                    | 0,5                 | 1.300             | 355                       | 190     | 193     |
| P 1585 | 1.580                 | 3.095                   | 122                  | 17                       | 64                   | 1                    | 0,5                 | 1.500             | 355                       | 190     | 193     |

T<sub>KN</sub>= Nenndrehmoment, T<sub>Kmax</sub>= Maximales Drehmoment, min<sup>-1</sup>= maximal zulässige Drehzahl, K<sub>V</sub>= maximal zulässiger Verstellweg, K<sub>r</sub>= maximal zulässiger Radialversatz, K<sub>r,min</sub>= minimal erforderlicher Radialversatz, K<sub>a</sub>= maximal zulässiger Axialversatz, K<sub>w</sub>= maximal zulässiger Winkerversatz, C<sub>T</sub>= Torsionssteifigkeit

## Nabenformen

### 33: Spannabe



## Spezifikationen

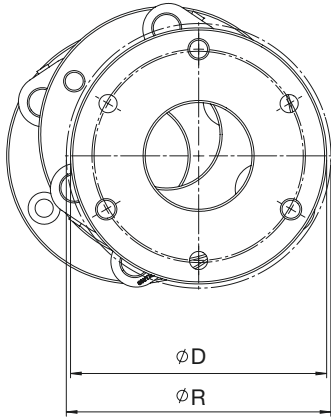
| Modell | 33: Spannabe            |         |         |         |         |                      |         |                        |                         |
|--------|-------------------------|---------|---------|---------|---------|----------------------|---------|------------------------|-------------------------|
|        | J<br>kg cm <sup>2</sup> | m<br>kg | L<br>mm | W<br>mm | X<br>mm | L <sub>1</sub><br>mm | P<br>mm | d <sub>max</sub><br>mm | Standardbohrungen<br>mm |
| S 285  | 84                      | 6,2     | 151     | 101     | 17      | 25                   | 96      | 40                     | 30, 32, 35, 40          |
| S 360  | 141                     | 7,7     | 151     | 101     | 17      | 25                   | 96      | 40                     | 30, 32, 35, 40          |
| S 365  | 135                     | 7,4     | 151     | 101     | 17      | 25                   | 96      | 40                     | 30, 32, 35, 40          |
| S 440  | 225                     | 9,4     | 151     | 101     | 17      | 25                   | 96      | 40                     | 30, 32, 35, 40          |
| S 445  | 216                     | 9,1     | 151     | 101     | 17      | 25                   | 96      | 40                     | 30, 32, 35, 40          |
| V 440  | 237                     | 9,8     | 151     | 101     | 17      | 25                   | 96      | 40                     | 30, 32, 35, 40          |
| P 480  | -                       | -       | -       | -       | -       | -                    | -       | -                      | -                       |
| P 590  | 239                     | 9,8     | 151     | 101     | 17      | 25                   | 96      | 40                     | 35, 40                  |
| P 595  | 227                     | 9,5     | 151     | 101     | 17      | 25                   | 96      | 40                     | 35, 40                  |
| V 680  | 1.110                   | 20      | 151     | 101     | 17      | 25                   | 96      | 40                     | 30, 32, 35, 40          |
| P 700  | 415                     | 13,2    | 161     | 101     | 23      | 30                   | 115     | 50                     | 42, 45, 50              |
| P 705  | 399                     | 12,8    | 161     | 101     | 23      | 30                   | 115     | 50                     | 42, 45, 50              |
| V 700  | 391                     | 12,2    | 151     | 101     | 17      | 25                   | 96      | 40                     | 30, 32, 35, 40          |

|        |       |      |     |     |    |    |     |    |                |
|--------|-------|------|-----|-----|----|----|-----|----|----------------|
| S 630  | 370   | 14,5 | 194 | 134 | 23 | 30 | 112 | 50 | 45, 50         |
| S 635  | 365   | 14,5 | 194 | 134 | 23 | 30 | 112 | 50 | 45, 50         |
| S 760  | 535   | 17   | 184 | 134 | 17 | 25 | 96  | 40 | 30, 32, 35, 40 |
| S 765  | 495   | 16   | 184 | 134 | 17 | 25 | 96  | 40 | 30, 32, 35, 40 |
| V 760  | 550   | 17,5 | 194 | 134 | 23 | 30 | 115 | 50 | 42, 45, 50     |
| S 950  | 1.020 | 22,5 | 202 | 134 | 24 | 34 | 120 | 60 | 50, 55, 60     |
| S 955  | 1.010 | 22,5 | 202 | 134 | 24 | 34 | 120 | 60 | 50, 55, 60     |
| V 950  | 1.015 | 22,5 | 194 | 134 | 23 | 30 | 115 | 50 | 42, 45, 50     |
| V 955  | 945   | 21,5 | 194 | 134 | 23 | 30 | 115 | 50 | 42, 45, 50     |
| P 1010 | 570   | 18   | 194 | 134 | 23 | 30 | 112 | 50 | 42, 45, 50     |
| P 1015 | 560   | 17,5 | 194 | 134 | 23 | 30 | 112 | 50 | 42, 45, 50     |
| V 1200 | 2.240 | 32,5 | 194 | 134 | 23 | 30 | 115 | 50 | 42, 45, 50     |
| P 1580 | 1.120 | 24,5 | 202 | 134 | 24 | 34 | 120 | 60 | 55, 60         |
| P 1585 | 1.100 | 24   | 202 | 134 | 24 | 34 | 120 | 60 | 55, 60         |

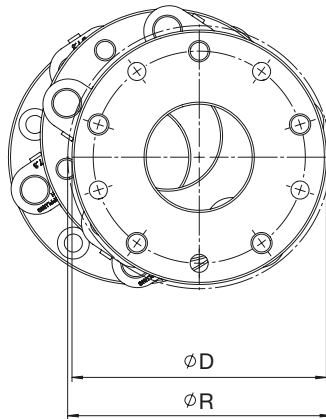
J= Trägheitsmoment, m= Gewicht, L= Kupplungslänge, X= Montageaum, W= Kupplungsbasis

## Baureihen

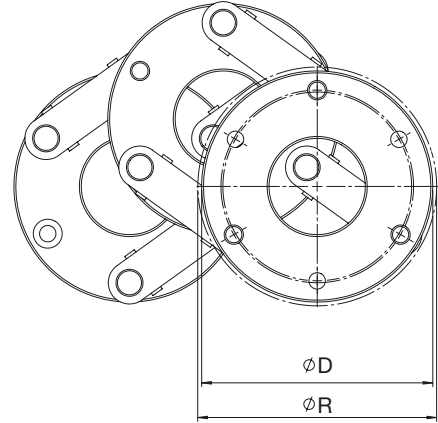
### Standard S



### Power Plus P



### Offset Plus V



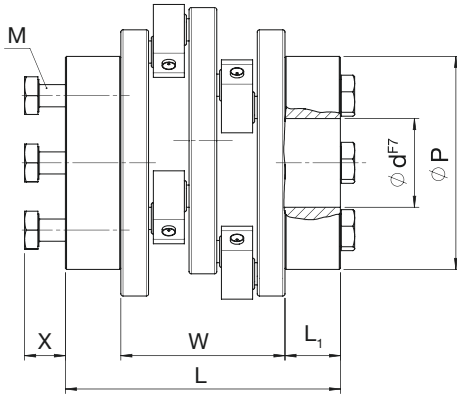
## Spezifikationen

| Modell | Technische Daten      |                         |                      |                          |                      |                      |                     |                   |                           |         |         |
|--------|-----------------------|-------------------------|----------------------|--------------------------|----------------------|----------------------|---------------------|-------------------|---------------------------|---------|---------|
|        | T <sub>KN</sub><br>Nm | T <sub>Kmax</sub><br>Nm | K <sub>V</sub><br>mm | K <sub>r,min</sub><br>mm | K <sub>r</sub><br>mm | K <sub>a</sub><br>mm | K <sub>w</sub><br>° | min <sup>-1</sup> | C <sub>T</sub><br>kNm/rad | D<br>mm | R<br>mm |
| S 1130 | 1.130                 | 2.200                   | 180                  | 25                       | 95                   | 1                    | 0,5                 | 1.200             | 252                       | 158     | 164     |
| S 1135 | 1.130                 | 2.200                   | 129                  | 18                       | 68                   | 1                    | 0,5                 | 1.500             | 252                       | 158     | 164     |
| S 1320 | 1.320                 | 2.580                   | 180                  | 25                       | 95                   | 1                    | 0,5                 | 1.200             | 296                       | 180     | 185     |
| S 1325 | 1.320                 | 2.580                   | 129                  | 18                       | 68                   | 1                    | 0,5                 | 1.400             | 296                       | 180     | 184     |
| V 1320 | 1.320                 | 2.580                   | 234                  | 32                       | 123                  | 1                    | 0,5                 | 1.000             | 296                       | 180     | 184     |
| S 1520 | 1.520                 | 2.965                   | 180                  | 25                       | 95                   | 1                    | 0,5                 | 1.100             | 340                       | 200     | 205     |
| S 1525 | 1.520                 | 2.965                   | 129                  | 18                       | 68                   | 1                    | 0,5                 | 1.300             | 340                       | 200     | 204     |
| V 1520 | 1.520                 | 2.965                   | 320                  | 44                       | 169                  | 1                    | 0,5                 | 800               | 340                       | 200     | 205     |
| V 1525 | 1.520                 | 2.965                   | 234                  | 32                       | 123                  | 1                    | 0,5                 | 1.000             | 340                       | 200     | 204     |
| V 2100 | 2.100                 | 4.110                   | 504                  | 70                       | 266                  | 1                    | 0,3                 | 600               | 471                       | 260     | 264     |
| S 2160 | 2.160                 | 4.220                   | 219                  | 30                       | 115                  | 2                    | 0,3                 | 1.000             | 484                       | 200     | 202     |
| S 2165 | 2.160                 | 4.220                   | 162                  | 22                       | 85                   | 2                    | 0,3                 | 1.200             | 484                       | 200     | 202     |
| V 2160 | 2.160                 | 4.220                   | 270                  | 37                       | 142                  | 2                    | 0,3                 | 900               | 484                       | 200     | 202     |
| S 2870 | 2.875                 | 5.625                   | 219                  | 30                       | 115                  | 2                    | 0,3                 | 900               | 645                       | 250     | 252     |
| S 2875 | 2.875                 | 5.625                   | 162                  | 22                       | 85                   | 2                    | 0,3                 | 1.000             | 645                       | 250     | 252     |
| V 2875 | 2.875                 | 5.625                   | 270                  | 37                       | 142                  | 2                    | 0,3                 | 800               | 645                       | 250     | 252     |
| P 2880 | 2.880                 | 5.620                   | 162                  | 22                       | 85                   | 2                    | 0,3                 | 1.200             | 644                       | 200     | 200     |
| V 3300 | 3.300                 | 6.470                   | 522                  | 72                       | 275                  | 2                    | 0,2                 | 500               | 742                       | 280     | 280     |
| P 3830 | 3.830                 | 7.500                   | 219                  | 30                       | 115                  | 2                    | 0,3                 | 900               | 860                       | 250     | 252     |
| P 3835 | 3.830                 | 7.500                   | 162                  | 22                       | 85                   | 2                    | 0,3                 | 1.000             | 860                       | 250     | 250     |
| V 3840 | 3.830                 | 7.500                   | 270                  | 37                       | 142                  | 2                    | 0,3                 | 800               | 860                       | 250     | 252     |
| P 4800 | 4.800                 | 9.380                   | 219                  | 30                       | 115                  | 2                    | 0,3                 | 900               | 1.075                     | 250     | 252     |
| P 4805 | 4.800                 | 9.380                   | 162                  | 22                       | 85                   | 2                    | 0,3                 | 1.000             | 1.075                     | 250     | 250     |
| P 6610 | 6.610                 | 12.940                  | 219                  | 30                       | 115                  | 2                    | 0,2                 | 800               | 1.483                     | 280     | 282     |
| P 6615 | 6.610                 | 12.940                  | 162                  | 22                       | 85                   | 2                    | 0,2                 | 1.000             | 1.483                     | 280     | 280     |

T<sub>KN</sub> = Nenndrehmoment, T<sub>Kmax</sub> = Maximales Drehmoment, min<sup>-1</sup> = maximal zulässige Drehzahl, K<sub>V</sub> = maximal zulässiger Verstellweg, K<sub>r</sub> = maximal zulässiger Radialversatz, K<sub>r,min</sub> = minimal erforderlicher Radialversatz, K<sub>a</sub> = maximal zulässiger Axialversatz, K<sub>w</sub> = maximal zulässiger Winkelversatz, C<sub>T</sub> = Torsionssteifigkeit

## Nabenformen

### 33: Spannnabe



## Spezifikationen

| Modell | 33: Spannnabe           |         |         |         |         |                      |         |                        |                         |
|--------|-------------------------|---------|---------|---------|---------|----------------------|---------|------------------------|-------------------------|
|        | J<br>kg cm <sup>2</sup> | m<br>kg | L<br>mm | W<br>mm | X<br>mm | L <sub>1</sub><br>mm | P<br>mm | d <sub>max</sub><br>mm | Standardbohrungen<br>mm |
| S 1130 | 620                     | 20      | 209     | 155     | 20      | 30                   | 115     | 40                     | 30, 35, 40              |
| S 1135 | 590                     | 19      | 209     | 155     | 20      | 30                   | 115     | 40                     | 30, 35, 40              |
| S 1320 | 1.040                   | 25      | 223     | 155     | 24      | 34                   | 120     | 60                     | 50, 55, 60              |
| S 1325 | 1.010                   | 25      | 223     | 155     | 24      | 34                   | 120     | 60                     | 50, 55, 60              |
| V 1320 | 1.080                   | 26      | 223     | 155     | 24      | 34                   | 120     | 60                     | 50, 55, 60              |
| S 1520 | 1.490                   | 29      | 235     | 155     | 30      | 40                   | 155     | 70                     | 60, 65, 70              |
| S 1525 | 1.630                   | 32      | 235     | 155     | 30      | 40                   | 155     | 70                     | 60, 65, 70              |
| V 1520 | 1.610                   | 31      | 223     | 155     | 24      | 34                   | 120     | 60                     | 50, 55, 60              |
| V 1525 | 1.540                   | 30      | 223     | 155     | 24      | 34                   | 120     | 60                     | 50, 55, 60              |
| V 2100 | 3.910                   | 53      | 235     | 155     | 30      | 40                   | 155     | 70                     | 60, 65, 70              |
| S 2160 | 1.825                   | 35      | 264     | 196     | 24      | 34                   | 120     | 60                     | 50, 55, 60              |
| S 2165 | 1.725                   | 34      | 264     | 196     | 24      | 34                   | 120     | 60                     | 50, 55, 60              |
| V 2160 | 2.075                   | 40      | 276     | 196     | 30      | 40                   | 155     | 70                     | 60, 65, 70              |
| S 2870 | 4.400                   | 55      | 284     | 196     | 31      | 44                   | 170     | 80                     | 70, 75, 80              |
| S 2875 | 4.250                   | 54      | 284     | 196     | 31      | 44                   | 170     | 80                     | 70, 75, 80              |
| V 2875 | 4.525                   | 56      | 284     | 196     | 31      | 44                   | 170     | 80                     | 70, 75, 80              |
| P 2880 | 2.050                   | 40      | 276     | 196     | 30      | 40                   | 155     | 70                     | 60, 70                  |
| V 3300 | 7.550                   | 74      | 284     | 196     | 31      | 44                   | 170     | 80                     | 70, 75, 80              |
| P 3830 | 4.700                   | 58      | 276     | 196     | 30      | 40                   | 155     | 70                     | 60, 70                  |
| P 3835 | 4.250                   | 53      | 276     | 196     | 30      | 40                   | 155     | 70                     | 60, 70                  |
| V 3840 | 4.450                   | 53      | 276     | 196     | 30      | 40                   | 155     | 70                     | 60, 65, 70              |
| P 4800 | 5.000                   | 61      | 284     | 196     | 31      | 44                   | 170     | 80                     | 70, 75, 80              |
| P 4805 | 4.500                   | 55      | 284     | 196     | 31      | 44                   | 170     | 80                     | 70, 75, 80              |
| P 6610 | 7.575                   | 73      | 296     | 196     | 30      | 50                   | 185     | 90                     | 85, 90                  |
| P 6615 | 7.500                   | 73      | 296     | 196     | 30      | 50                   | 185     | 90                     | 85, 90                  |

J= Trägheitsmoment, m= Gewicht, L= Kupplungslänge, X= Montageraum, W= Kupplungsbasis