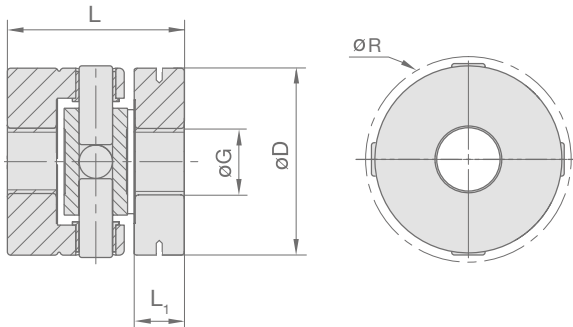


Loewe GK

Linear



Specifications

Size	D mm	R mm	L mm	L ₁ mm	m kg	F _{Ka} N	C _a N/mm	Misalignment	
								angular °	radial mm
GK L 27	27	33	36	10,5	0,05	800	16.000	3	1
GK L 35	35	41	37	12	0,09	1.000	11.500	3	1,5
GK L 56	56	61	53	15	0,3	4.000	32.000	3	2
GK L 75	74,5	84	83	25	0,8	7.500	43.900	3	2
GK L 100	100	109	97	27,5	1,8	13.000	61.500	3	2,5

Dimensions are related to the standard version with inner threads on both sides. On request the Loewe GK Linear is available with inner and outer threads, with outer threads on both sides or with clamp hubs as well. Please ask our application engineers.

F_{Ka} = Maximum axial loads, C_a = Axial stiffness, R = Measured at max. radial misalignment

Thread diameters

Size	øG										
	M6	M8	M10	M12	M16	M20	M24	M30	M36	M42	M48
GK L 27	■	■	■								
GK L 35		■	■	■	■						
GK L 56			■	■	■	■					
GK L 75					■	■	■	■	■		
GK L 100								■	■	■	■

Combinations of different thread diameters are possible. Smaller thread diameters as shown in the table are available on special request.

Ordering example:

GK L 35 M8 M10

Loewe GK Linear size 35, inner threads M8 and M10