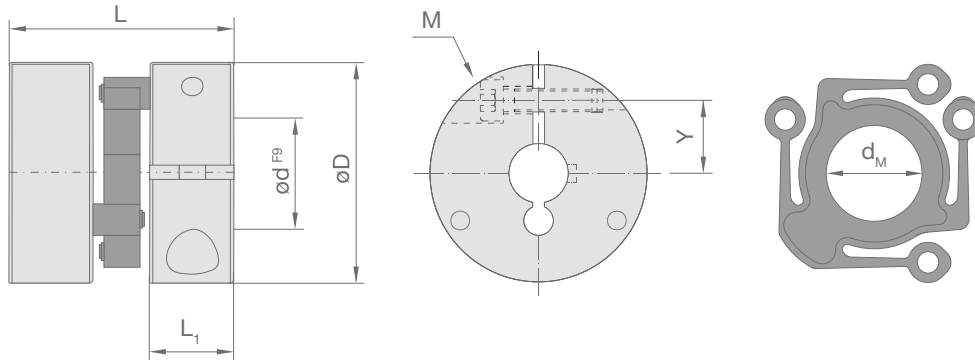


Standard



Specifications

Size	D mm	L mm	L ₁ mm	M	M _A Nm	Y mm	d _M mm	m g	T _{KN} Nm	T _{Kmax} Nm	max rpm min ⁻¹	Misalignment			C _T Nm/rad	C _R N/mm
												angular °	axial mm	radial mm		
CPS 8.1	19	16	5,6	UNC2-56	0,4	6,4	7	8	0,3	0,7	25.000	1,5	0,3	0,4	16	15
CPS 10.1	25	25,5	9,5	M3	1,3	8	8	25	0,7	1	22.000	1,5	0,5	0,7	37,3	17
CPS 15.1	37	30	10	M4	3	12,4	14,3	59	2	3	15.000	1,5	0,7	1	97,4	22

Mass of coupling size measured at max. bore diameter

M = Size of screw, M_A = Tightening torque, T_{KN} = Nominal torque, T_{Kmax} = Maximum torque, m = Mass, C_T = Torsional stiffness, C_R = Radial stiffness

Bore diameters

Size	d mm										
	3	4	6	8	10	12	14	15	16	18	20
CPS 8.1	■	■	■	■	■						
CPS 10.1			■	■	■	■					
CPS 15.1			■	■	■	■	■	■	■	■	■

Combinations of different bore diameters are possible. Additionally bore diameters with keyway according to DIN 6885/1 starting from bore diameter 8 mm are available on request. Smaller bore diameters as shown in the table are available on special request as well.

Ordering example:

CPS 10.1 Ø6 Ø8

Controlflex CPS 10.1, bore 6, 8 mm