



### The Loewe® GK series



#### Torque

Resists axial motion  
Bore diameter up to 50 mm  
Torque ( $T_{KN}$ ) 44 Nm to 220 Nm



#### Linear

Precise transmission of  
push-pull loads  
Bore diameter up to 50 mm  
Thread diameter up to size M27

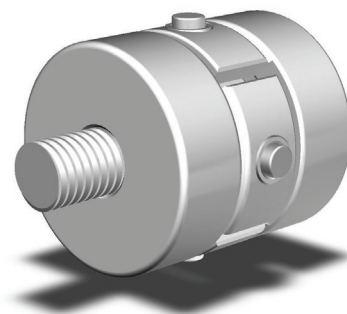
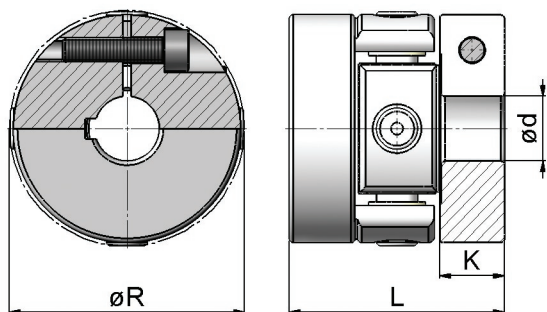
### Loewe® GK

Loewe® GK: The axially fixed Loewe® GK is designed to offer generous angular and radial misalignment compensation together with high axial stiffness.

Loewe® GK is designed to resist axial motion and for precise transmission of pure linear motion for use in cylinder systems.

### Linear

The Loewe® GK series for applications purely transmitting axial force. The Loewe® GK Linear series is also available with inner and outer threads.



	ØR (mm)	L (mm)	Ød <sub>max</sub> (mm)	K (mm)	m (kg)	F <sub>a</sub> (N)	ΔK <sub>r</sub> (mm)	ΔK <sub>sw</sub> (°)
GK L 27	33	36	11	10,5	0,05	800	1	3
GK L 35	41	37	16	12,5	0,09	1.000	1,5	3
GK L 56	61	53	30	15	0,3	4.000	2	3
GK L 75	84	83	40	25	0,8	7.500	2	3
GK L 100	109	97	50	27,5	1,8	13.000	2,5	3

Order Example 1: GK L 27 Ø6 Ø8    Order Example 2: GK L 27 M10 M10

GK L 27

M10 M10

Type Loewe® Linear GK GK L 27

Thread diameter

To ensure the correct selection of the Loewe® GK please use our selection procedure and legend area to download the required information.