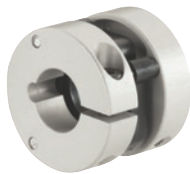




The Controlflex® series



Standard

For all standard encoders



Impuls Plus

For encoders with maximum accuracy



Compact

The very short design



Industry

For robust industrial encoders

Controlflex®

Controlflex® is the ideal coupling for encoders.

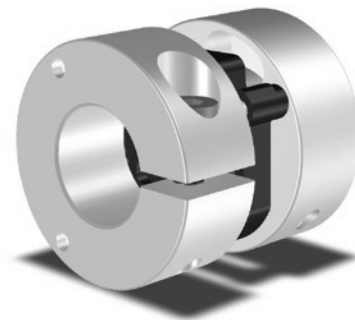
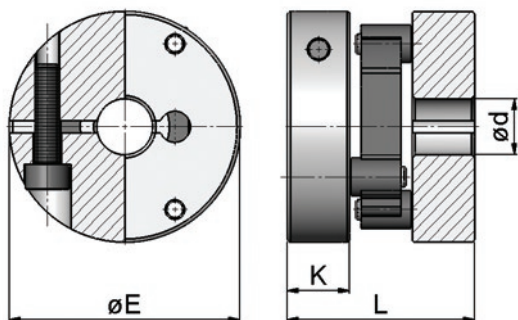
Controlflex® is a compact, electrically-insulating, precise shaft coupling with excellent kinematic properties.

Modular construction makes it possible to realize all possible bore combinations from stock.

Standard

The optimal choice for all standard encoders and tachos.

The Standard series offers a balanced design of precision with very low restoring forces and it exactly meets the requirements of today's encoders.



	ØE (mm)	L (mm)	Ød _{max} (mm)	Ød _{min} (mm)	K (mm)	m (kg)	J (kg cm ²)	T _{KN} (Nm)	TK _{max} (Nm)	ΔK _r (mm)	ΔK _w (°)	ΔK _a (mm)	n _{max} (1/min)	C _R (N)
CPS 8.1	19	16	10	3	5,6	0,01	0,004	0,3	0,7	0,4	1,5	0,3	25.000	3
CPS 10.1	25	25,5	12	4	9,5	0,03	0,02	0,7	1	0,7	1,5	0,5	22.000	3,4
CPS 15.1	37	30	20	5	10	0,06	0,11	2	3	1	1,5	0,7	15.000	4,4

Order Example 1: CPS 15.1 Ø10 Ø10 Order Example 2: CPS 10.1 Ø10 Ø10

CPS 15.1	Ø10 Ø10
Type Controlflex® Standard CPS 15.1 bore diameters	

To ensure the correct selection of the Controlflex® please use our selection procedure and legend area to download the required information.