



The Controlflex® series



Standard

For all standard encoders



Impuls Plus

For encoders with maximum accuracy



Compact

The very short design



Industry

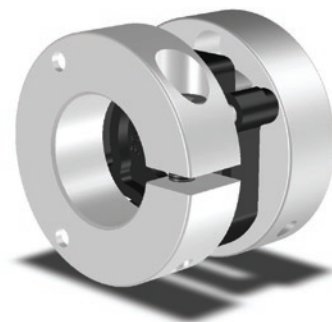
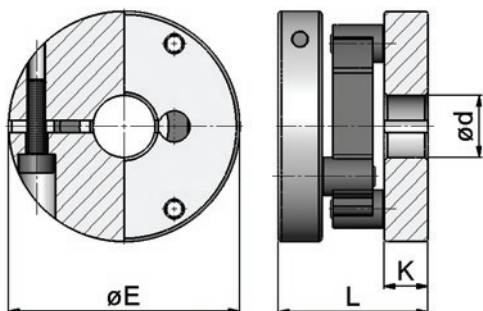
For robust industrial encoders

Controlflex®

Controlflex® is the ideal coupling for encoders. Controlflex® is a compact, electrically-insulating, precise shaft coupling with excellent kinematic properties. Modular construction makes it possible to realize all possible bore combinations from stock.

Compact

The very short design, especially designed for encoder applications where the coupling is integrated into a very tight axial space. As an example where the coupling is mounted in a fixed housing.



	ØE (mm)	L (mm)	Ød _{max} (mm)	Ød _{min} (mm)	K (mm)	m (kg)	J (kg cm ²)	T _{kN} (Nm)	T _{k max} (Nm)	ΔK _r (mm)	ΔK _w (°)	ΔK _s (mm)	n _{max} (1/min)	C _R (N)
CPS 9.1	25	20,5	12	4	7	0,02	0,02	0,7	1	0,4	1,5	0,5	22.000	3,4
CPS 14.1	37	24	22	5	7	0,04	0,1	2	3	1	1,5	0,7	15.000	4,4

Order Example 1: CPS 9.1 Ø10 Ø10 Order Example 2: CPS 14.1 Ø10 Ø10

CPS 14.1

Ø10 Ø10

Type Controlflex® Compact CPS 14.1 | bore diameters

To ensure the correct selection of the Controlflex® please use our selection procedure and legend area to download the required information.